

Point Pod Specifications



pointpod

Point Pod Multi



Point Pod Compact



Point Pod Compact with USB



Point Pod Boardroom



Colour: Anodised Aluminium
Silver - with white sockets
and surrounds
Black - with black sockets
and surrounds

Colour: Anodised Aluminium
Silver - with white sockets
and surrounds
Black - with black sockets
and surrounds

Colour: Anodised Aluminium
Silver - with white sockets
and surrounds
Black - with black sockets
and surrounds

Colour: Anodised Aluminium
Silver - with white sockets
and surrounds

Material: Polyamide and
ABS

Material: Polyamide and
ABS

Material: Polyamide and
ABS

Material: Polyamide and
ABS

Warranty: 2 year Australian
Warranty on all parts and
labour

Warranty: 2 year Australian
Warranty on all parts and
labour

Warranty: 2 year Australian
Warranty on all parts and
labour

Warranty: 2 year Australian
Warranty on all parts and
labour

Top Cup Depth: 20mm

Top Cup Depth: 20mm

Top Cup Depth: 20mm

Top Cup Depth: 20mm

Dimensions

Hole Size: 102mmDiameter

Hole Size: 102mmDiameter

Hole Size: 102mmDiameter

Hole Size: 102mmDiameter

Inner Disc: 93mm

Inner Disc: 93mm

Inner Disc: 93mm

Inner Disc: 93mm

Space Required in cabinet:
550mm depth

Space Required in cabinet:
550mm depth

Space Required in cabinet:
550mm depth

Space Required in cabinet:
550mm depth

mounting flange 160mm ø
100mm for body

mounting flange 160mm ø
100mm for body

mounting flange 160mm ø
100mm for body

mounting flange 160mm ø
100mm for body

Unit Weight: 2.3kg

Unit Weight: 2.3kg

Unit Weight: 1.9kg

Unit Weight: 2.3kg

Socket Configuration:
3 x Australian outlets, 2 x 2.1a
USB (A+C)

Socket Configuration:
2 x Australian outlets

Socket Configuration:
1 x Australian outlets, 2 x 2.1a
USB (A+C)

2x Australian outlets, 1 x
HDMI 4K, 1 x Data (Cat5)
2 x 2.1a USB (A+C)

Cable Length: 1.9m

Cable Length: 1.9m

Cable Length: 1.9m

Cable Length: 1.9m

Electrical Data

Supply Voltage:
110-240ac 50Hz

Supply Voltage:
110-240ac 50Hz

Supply Voltage:
110-240ac 50Hz

Supply Voltage:
110-240ac 50Hz

Max Current:
2400W

Max Current:
2400W

Max Current:
2400W

Max Current:
2400W

Amperage: 10A

Amperage: 10A

Amperage: 10A

Amperage: 10A

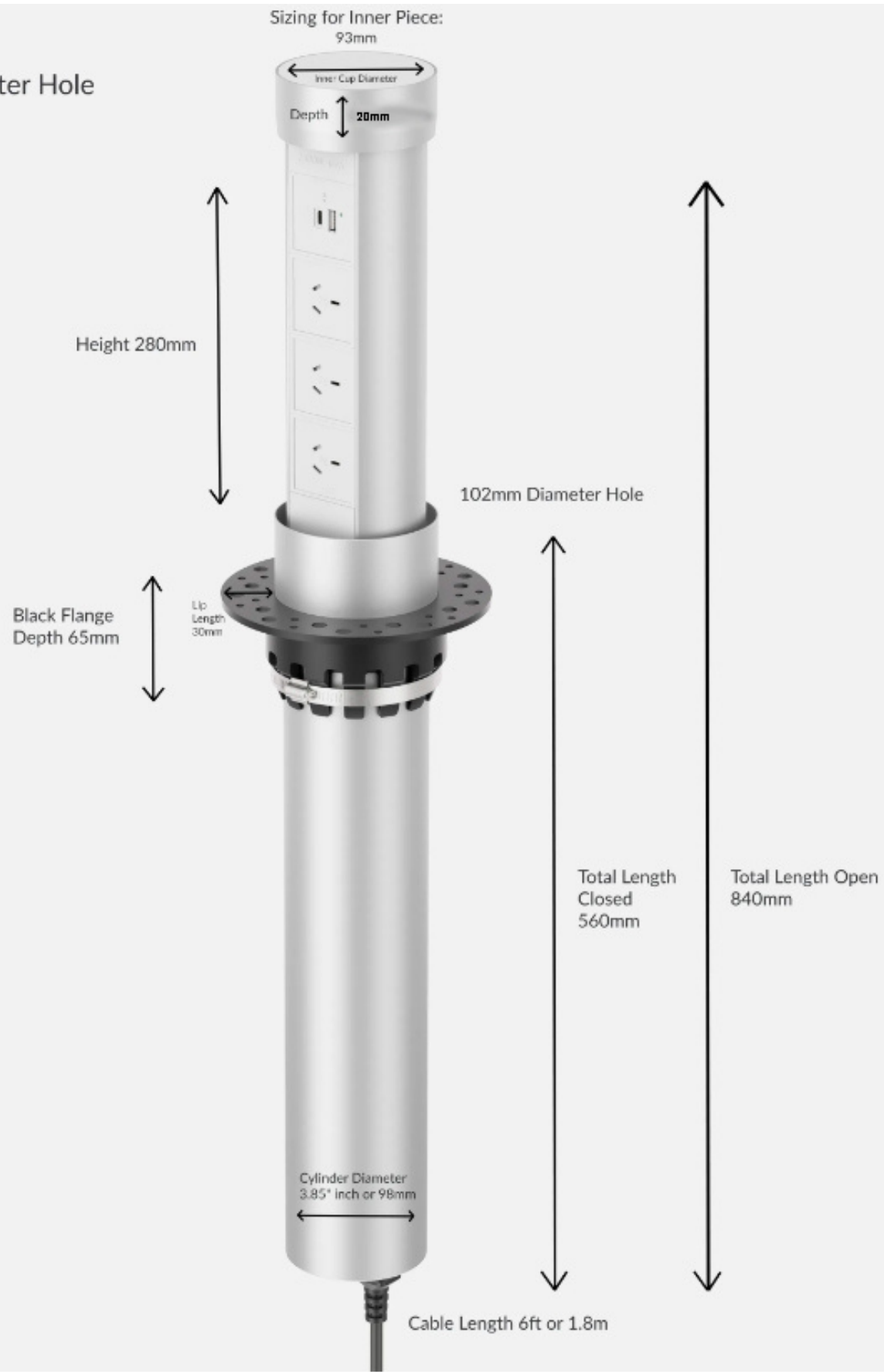
Point Pod Multi Silver

Point Pod Multi Black

Point Pod Boardroom



4" or 102mm Diameter Hole



Point Pod Compact Silver

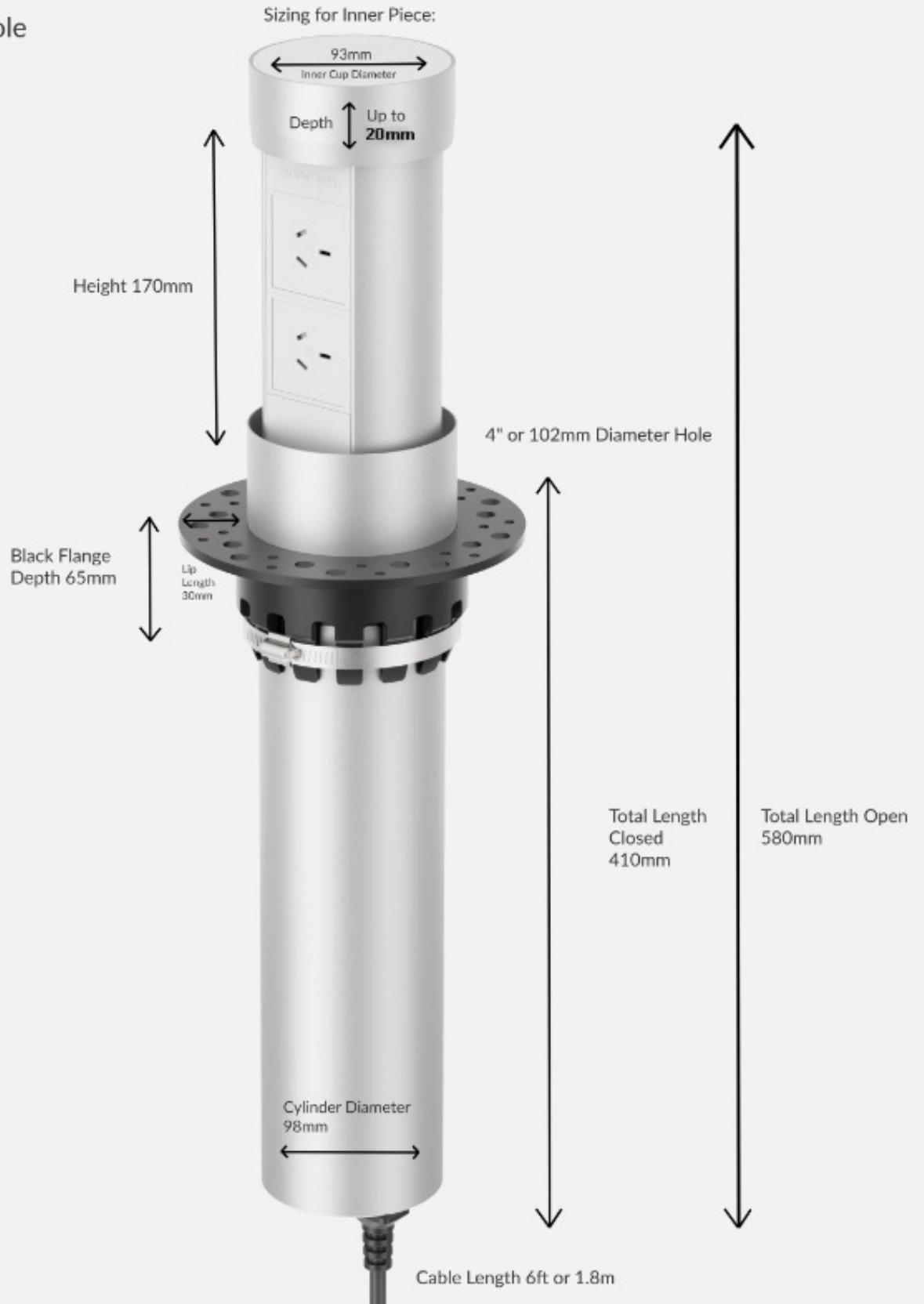
Point Pod Compact Black

Point Pod Compact/USB Silver

Point Pod Compact/USB Black



102mm Diameter Hole



Total load connected not to exceed rating

All Point Pods have an overload switch

For indoor use only

Approval no. GMA-504353-EA

IP rating - IP44

Designed and engineered in Australia

Made in China

Ph: 3040 8280

sales@pointpod.com

www.pointpod.com