

Point Pod Multi



Point Pod Compact



Point Pod Compact with USB



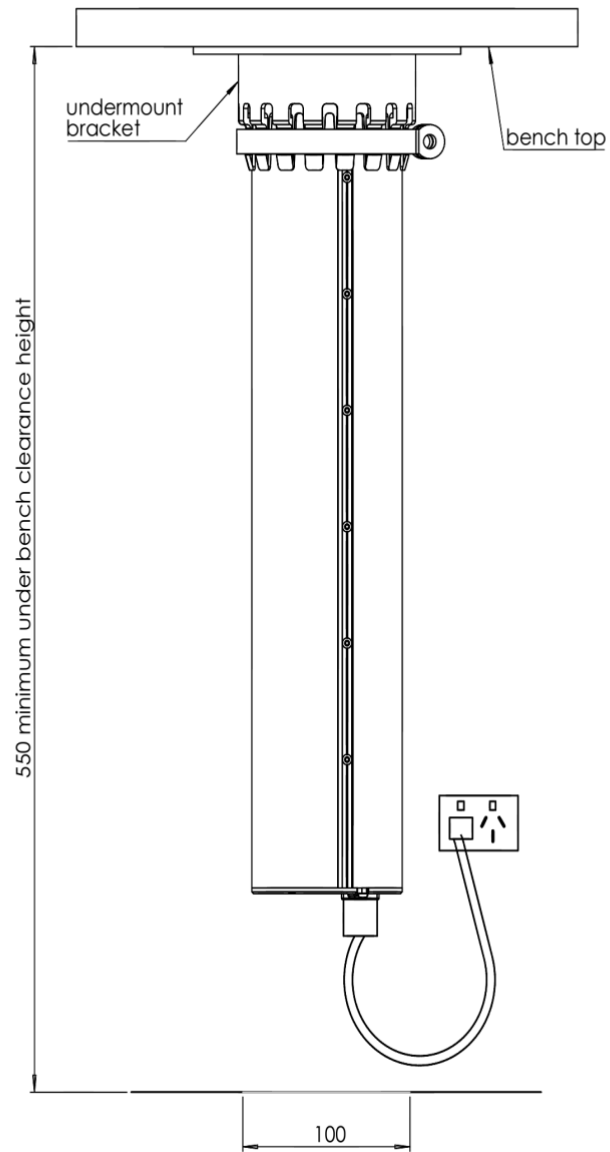
Point Pod Boardrom



Point Pod Multi	Point Pod Compact	Point Pod Compact with USB	Point Pod Boardrom
<u>Colour:</u> Anodised Aluminium Silver - with white sockets and surrounds Black - with black sockets and surrounds	Anodised Aluminium Silver - with white sockets and surrounds Black - with black sockets and surrounds	Anodised Aluminium Silver - with white sockets and surrounds Black - with black sockets and surrounds	Anodised Aluminium Silver - with white sockets and surrounds
<u>Material:</u> Polyamide and ABS	Polyamide and ABS	Polyamide and ABS	Polyamide and ABS
<u>Warranty:</u> 2 year Australian Warranty on all parts and labour	2 year Australian Warranty on all parts and labour	2 year Australian Warranty on all parts and labour	2 year Australian Warranty on all parts and labour
<u>Dimensions</u>			
<u>Hole Size:</u> 100mm Diameter	100mm Diameter	100mm Diameter	100mm Diameter
<u>Inner Disc:</u> 92mm	92mm	92mm	92mm
<u>Space Required in cabinet:</u> 550mm depth, 160mm in diameter at mounting flange, 100mm for body	450mm depth, 160mm in diameter at mounting flange, 100mm for body	450mm depth, 160mm in diameter at mounting flange, 100mm for body	550mm depth, 160mm in diameter at mounting flange, 100mm for body

<u>Packaging size:</u> 770mm x 200mm x 140mm LxWxH	670mm x 200mm x 140mm LxWxH	670mm x 200mm x 140mm LxWxH	770mm x 200mm x 140mm LxWxH
<u>Weight:</u> 3.2kgs	3.1kgs	3.1kgs	3.2kgs
<u>Socket Configuration:</u> 3 x Australian outlets, 2 x 2.1a USB charging outlets	2 x Australian outlets (Customisable)	1 x Australian outlets 2 x 2.1a USB (Customisable)	2x Australian outlets, 1 x HDMI, 1 x Data (Cat5), 2 x USB 2.1a
<u>Cable Length:</u> 1.9m	1.9m	1.9m	1.9m
<u>Electrical Data</u>			
<u>Supply Voltage:</u> 110-240ac 50Hz	110-240ac 50Hz	110-240ac 50Hz	110-240ac 50Hz
<u>Max Current:</u> 10a or 2400W	10a or 2400W	10a or 2400W	10a or 2400W

Point Pod Multi



Point Pod Compact

